

the VAMPIRE mpc

Before you begin building, look over the instructions carefully. Following the procedure given, test-fit parts together without cementing. This way you will be more familiar with the location of parts when it becomes time to use cement.

For removing small parts from the "runners" it is best to use a modeler's knife, do not attempt to "twist" them off.

The highest quality styrene plastic goes into the making of each MPC model. Only paint and cement made for styrene should be used. Before joining parts, trim off excess plastic or "flash". Be careful not to get cement on exposed areas. To join parts, use cement sparingly. Apply cement to very small parts with a toothpick.

You should have no trouble assembling your kit if the instructions are followed properly.

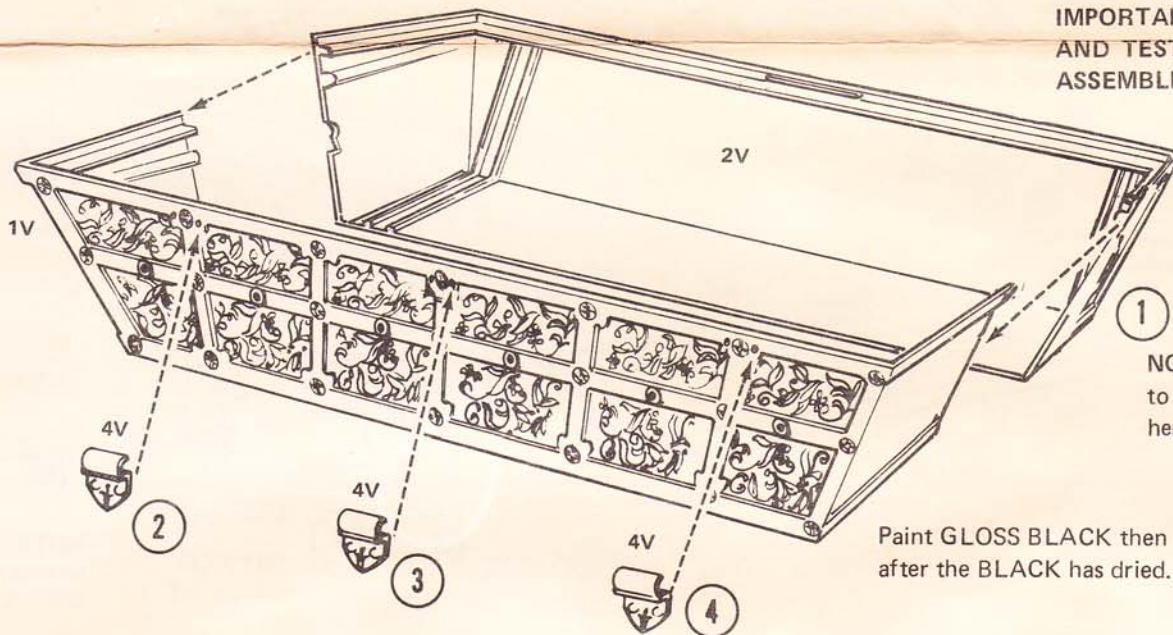
2 ASSEMBLY NUMBERS

10 PART NUMBERS

DO NOT CEMENT \longrightarrow

CEMENT \dashrightarrow

1

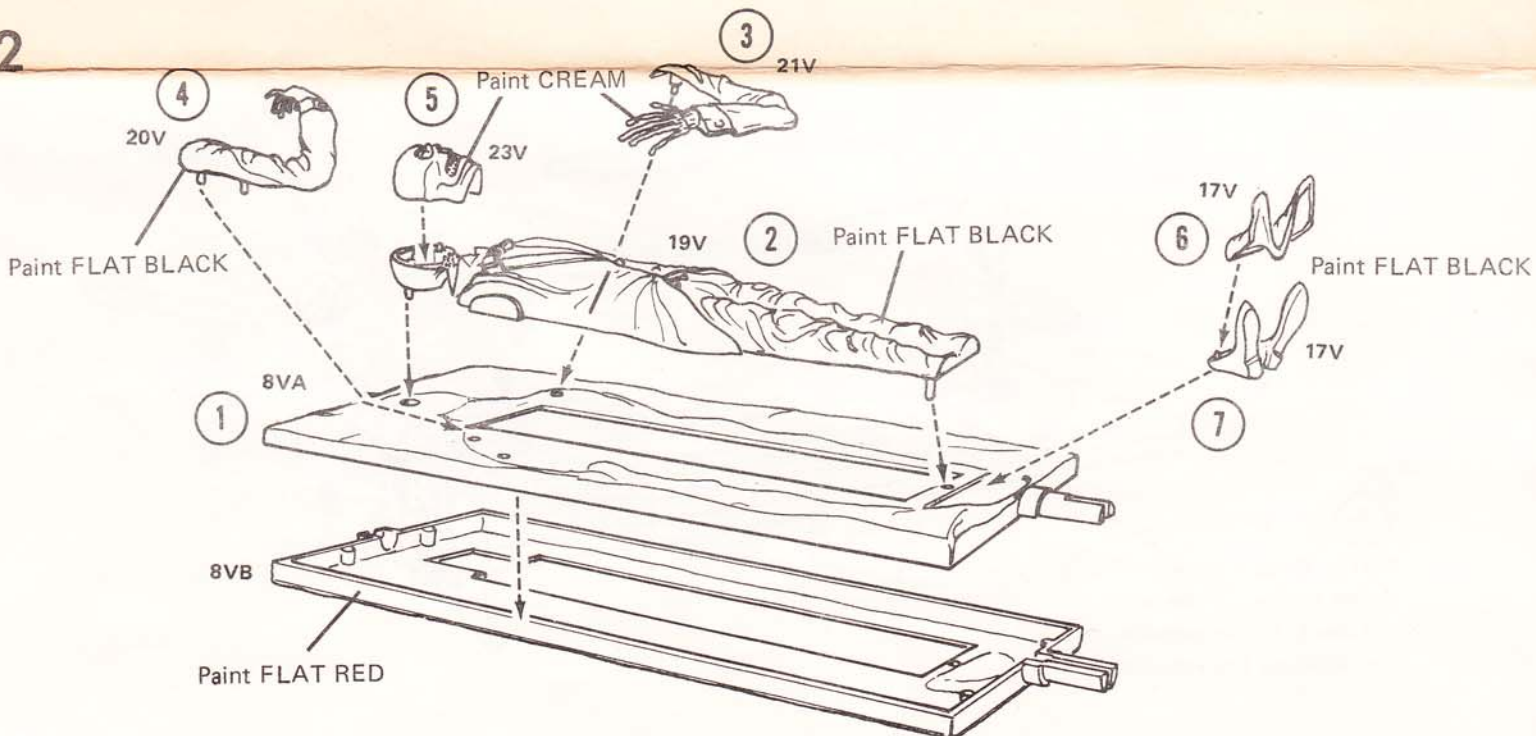


IMPORTANT: READ ALL NOTES AND TEST FIT PARTS BEFORE ASSEMBLING.

NOTE: Use rubber bands to hold your coffin together until cement is dry.

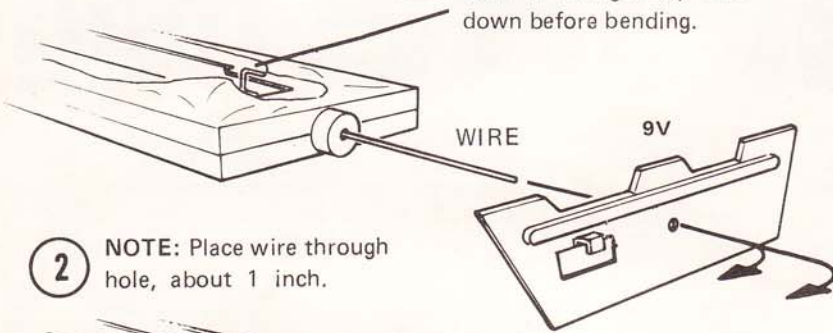
Paint GLOSS BLACK then rub GOLD on highlights after the BLACK has dried.

2

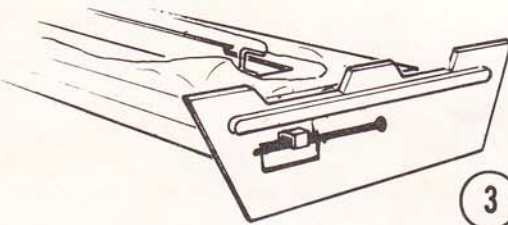


3

1 NOTE: Be sure hook on wire is straight up and down before bending.

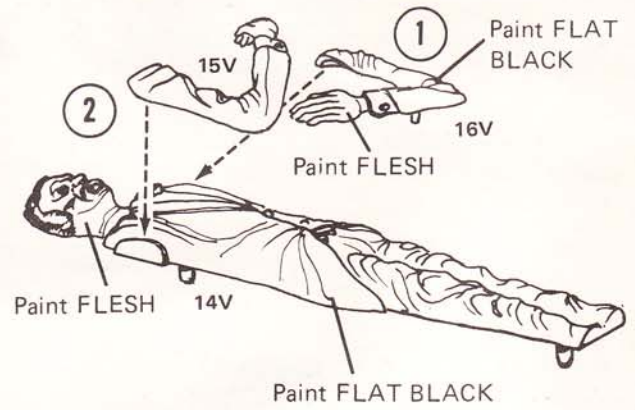
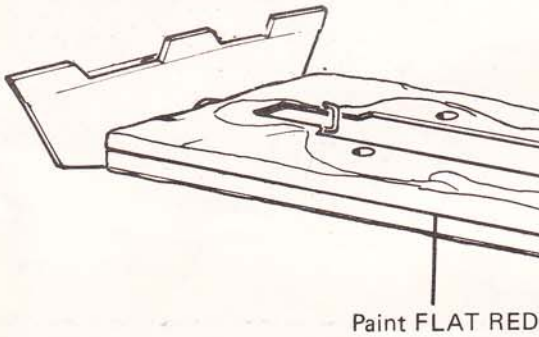


2 NOTE: Place wire through hole, about 1 inch.

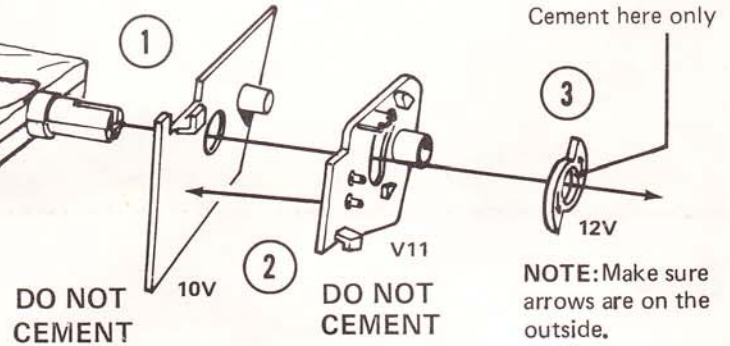
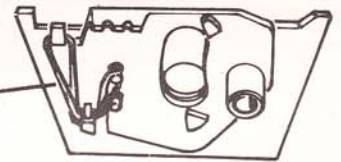


NOTE: Have Dad use a pair of pliers and bend the wire for you, be sure wire is bent at 90 degrees, then bend down under tab as shown.

3

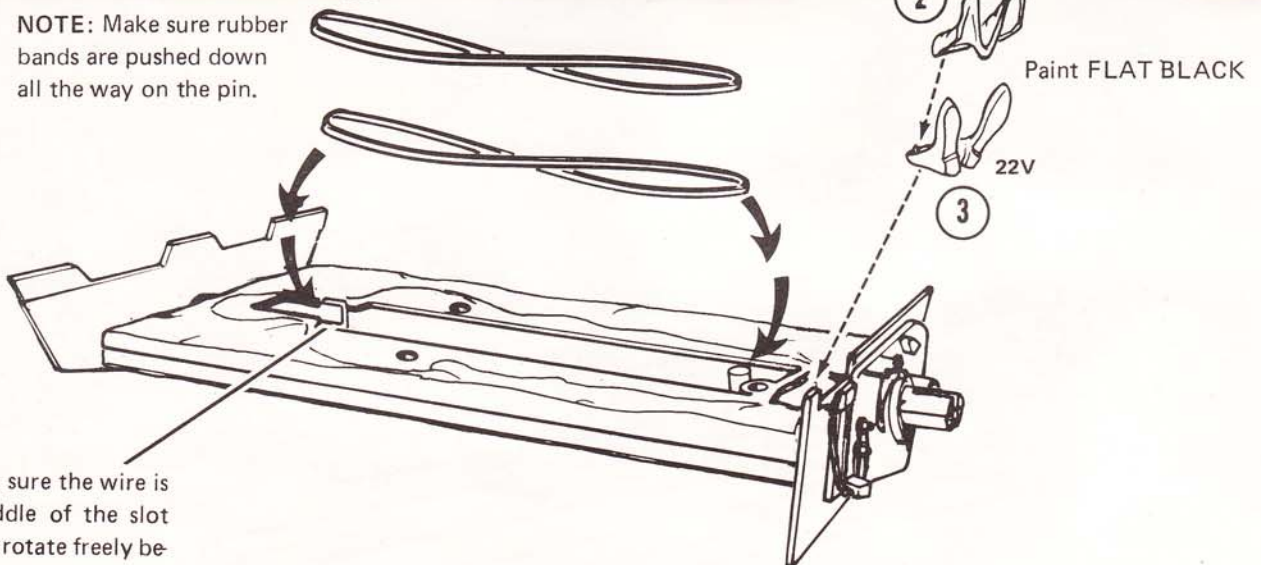
4**5**

4 Locate small rubber band as shown in the finished diagram.

**6**

NOTE: Make sure rubber bands are pushed down all the way on the pin.

4 NOTE: Locate two of the large rubber bands.



1 NOTE: Be sure the wire is in the middle of the slot and able to rotate freely before locating the vampire.

7

NOTE: The vampire is press fit so it may be removed if it becomes necessary to replace your rubber bands.

DO NOT CEMENT

1

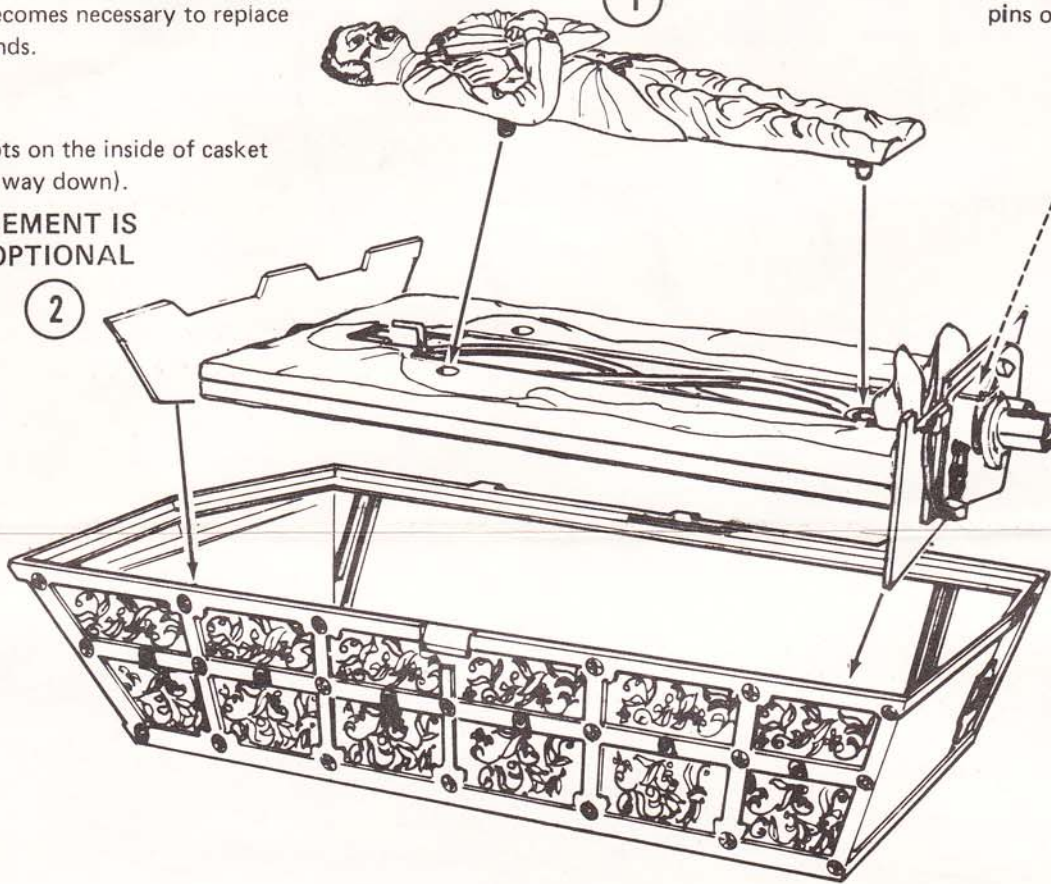
NOTE: Place with locating pins on the bottom.

24 3

Locate to slots on the inside of casket
(Push all the way down).

CEMENT IS
OPTIONAL

2

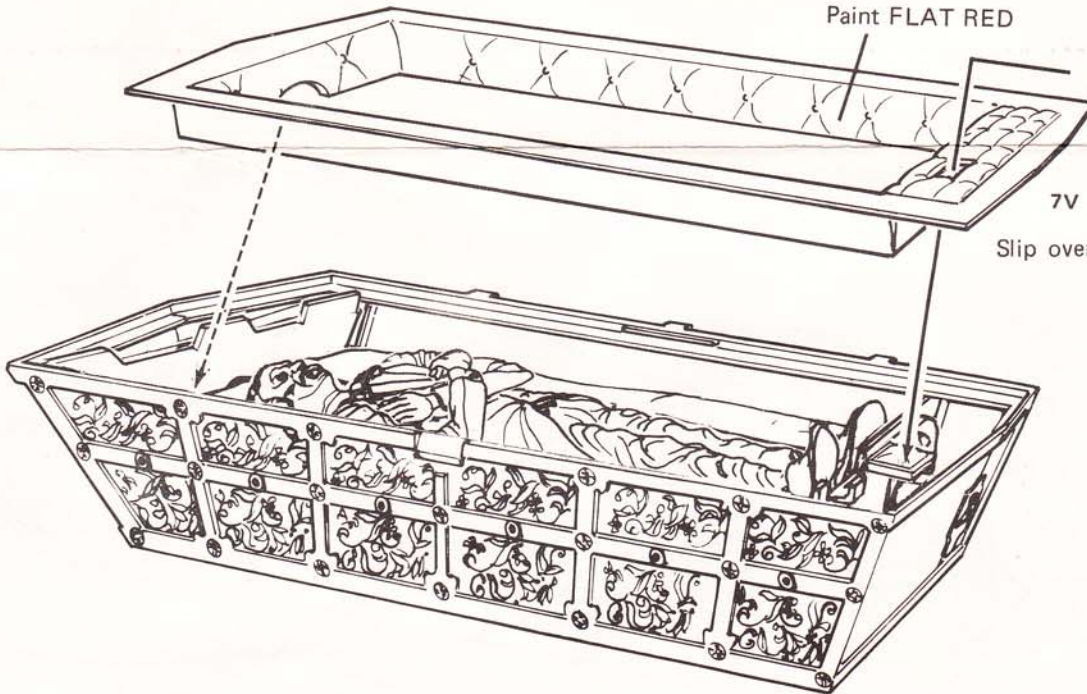


8

Paint FLAT RED

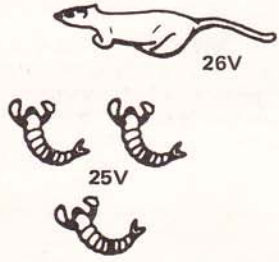
7V

Slip over button



9

NOTE: Be sure scorpions & rat are in from the edge far enough to allow smooth operation, position is optional.



6 5V

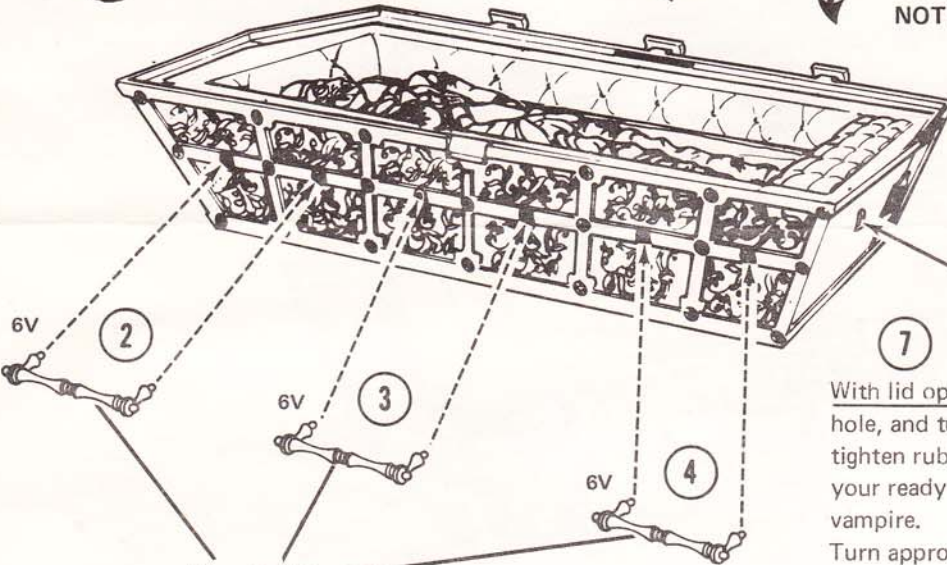
NOTE: If your Vampire sticks, apply a small amount of petroleum jelly to moving parts.

Do not cement.

1

Paint FLAT RED

NOTE: Make sure hinges move freely



7

With lid open, place key into hole, and turn clockwise to tighten rubber bands, now your ready to operate vampire. Turn approximately 55 times (anymore may snap rubber bands).

13V

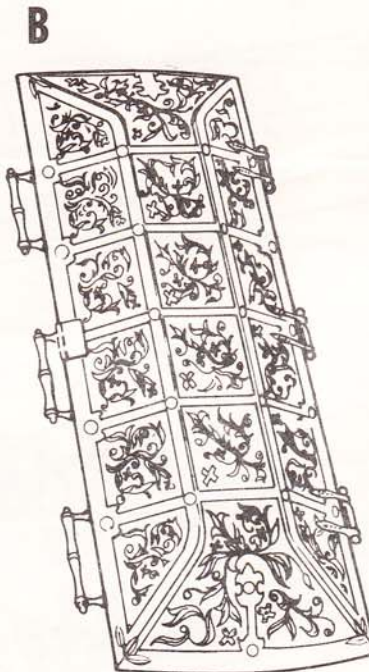
5 Repeat steps 2 thru 4 for other side.

HOW TO OPERATE VAMPIRE

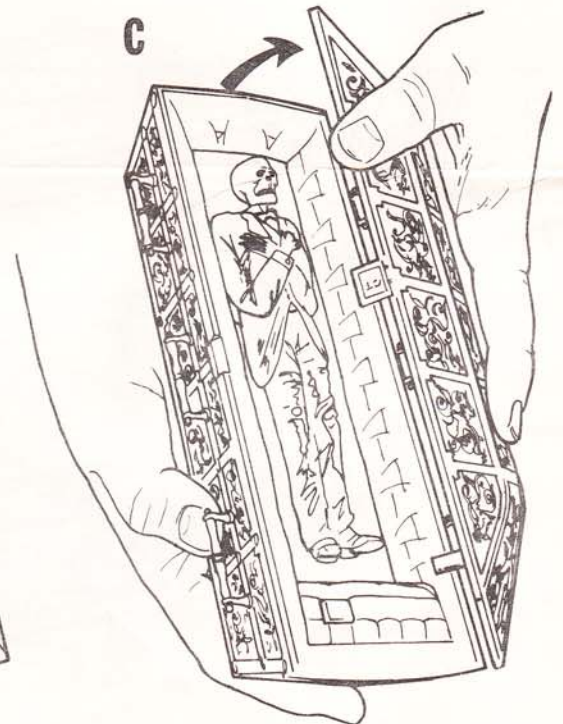
10



OPEN COFFIN VAMPIRE APPEARS.



CLOSE LID



OPEN AGAIN AND YOUR VAMPIRE CHANGES INTO A SKELETON.